



Part-turn actuators

SQ 05.2 – SQ 14.2/SQR 05.2 – SQR 14.2

AUMA NORM (without controls)



Read operation instructions first.

- Observe safety instructions.
- These operation instructions are part of the product.
- Retain operation instructions during product life.
- Pass on instructions to any subsequent user or owner of the product.

Purpose of the document:

This document contains information for installation, commissioning, operation and maintenance staff. It is intended to support device installation and commissioning.

Table of contents		Page
1.	Safety instructions.....	4
1.1.	Basic information on safety	4
1.2.	Range of application	4
1.3.	Applications in Ex zone 22 (option)	5
1.4.	Warnings and notes	5
1.5.	References and symbols	6
2.	Identification.....	7
2.1.	Name plate	7
2.2.	Short description	8
3.	Transport, storage and packaging.....	9
3.1.	Transport	9
3.2.	Storage	9
3.3.	Packaging	9
4.	Assembly.....	10
4.1.	Mounting position	10
4.2.	Handwheel fitting	10
4.3.	Actuator: mount to valve	10
4.3.1.	Valve attachment via coupling	11
5.	Electrical connection.....	13
5.1.	Basic information	13
5.2.	Connection with AUMA plug/socket connector	14
5.2.1.	Terminal compartment: open	14
5.2.2.	Cable connection	15
5.2.3.	Terminal compartment: close	17
5.3.	Accessories for electrical connection	17
5.3.1.	Parking frame	17
5.3.2.	Protection cover	18
5.3.3.	Double sealed intermediate frame	18
5.3.4.	Earth connection, external	18
6.	Operation.....	19
6.1.	Manual operation	19
6.1.1.	Manual operation: engage	19
6.1.2.	Manual operation: disengage	19
6.2.	Motor operation	19

7.	Indications.....	20
7.1.	Mechanical position indicator/running indication	20
8.	Signals.....	21
8.1.	Feedback signals from actuator	21
9.	Commissioning.....	22
9.1.	End stops in part-turn actuator	22
9.1.1.	End stop CLOSED: set	23
9.1.2.	End stop OPEN: set	23
9.2.	Switch compartment: open	23
9.3.	Torque switching: set	24
9.4.	Limit switching: set	25
9.4.1.	End position CLOSED (black section): set	25
9.4.2.	End position OPEN (white section): set	25
9.5.	Intermediate positions: set	26
9.5.1.	Running direction CLOSE (black section): set	26
9.5.2.	Running direction OPEN (white section): set	27
9.6.	Test run	27
9.6.1.	Direction of rotation: check	27
9.6.2.	Limit switching: check	27
9.7.	Electronic position transmitter EWG 01.1	28
9.7.1.	Measuring range: set	29
9.7.2.	Current values: adjust	30
9.7.3.	LED end position signalling: switch on/off	30
9.8.	Potentiometer	30
9.8.1.	Potentiometer setting	31
9.9.	Electronic position transmitter RWG	31
9.9.1.	Measuring range: set	32
9.10.	Mechanical position indicator: set	32
9.11.	Switch compartment: close	33
10.	Corrective action.....	34
10.1.	Faults during commissioning	34
10.2.	Motor protection (thermal monitoring)	34
11.	Servicing and maintenance.....	36
11.1.	Preventive measures for servicing and safe operation	36
11.2.	Maintenance	36
11.3.	Disposal and recycling	36
12.	Technical data.....	38
12.1.	Technical data Part-turn actuator	38
13.	Spare parts.....	41
13.1.	Part-turn actuators SQ 05.2 – SQ 14.2/SQR 05.2 – SQR 14.2	41
14.	Certificates.....	43
14.1.	Declaration of Incorporation and EC Declaration of Conformity	43
	Index.....	44
	Addresses.....	46

1. Safety instructions

1.1. Basic information on safety

Standards/directives AUMA products are designed and manufactured in compliance with recognised standards and directives. This is certified in a Declaration of Incorporation and an EC Declaration of Conformity.

The end user or the contractor must ensure that all legal requirements, directives, guidelines, national regulations and recommendations with respect to assembly, electrical connection, commissioning and operation are met at the place of installation.

Safety instructions/warnings All personnel working with this device must be familiar with the safety and warning instructions in this manual and observe the instructions given. Safety instructions and warning signs on the device must be observed to avoid personal injury or property damage.

Qualification of staff Assembly, electrical connection, commissioning, operation, and maintenance must be carried out exclusively by suitably qualified personnel having been authorised by the end user or contractor of the plant only.

Prior to working on this product, the staff must have thoroughly read and understood these instructions and, furthermore, know and observe officially recognised rules regarding occupational health and safety.

Commissioning Prior to commissioning, it is important to check that all settings meet the requirements of the application. Incorrect settings might present a danger to the application, e.g. cause damage to the valve or the installation. The manufacturer will not be held liable for any consequential damage. Such risk lies entirely with the user.

Operation Prerequisites for safe and smooth operation:

- Correct transport, proper storage, mounting and installation, as well as careful commissioning.
- Only operate the device if it is in perfect condition while observing these instructions.
- Immediately report any faults and damage and allow for corrective measures.
- Observe recognised rules for occupational health and safety.
- Observe the national regulations.
- During operation, the housing warms up and surface temperatures > 60 °C may occur. To prevent possible burns, we recommend checking the surface temperature using an appropriate thermometer and wearing protective gloves, if required, prior to working on the device.

Protective measures The end user or the contractor are responsible for implementing required protective measures on site, such as enclosures, barriers, or personal protective equipment for the staff.

Maintenance To ensure safe device operation, the maintenance instructions included in this manual must be observed.

Any device modification requires prior consent of the manufacturer.

1.2. Range of application

AUMA part-turn actuators are designed for the operation of industrial valves, e.g. butterfly valves and ball valves.

Other applications require explicit (written) confirmation by the manufacturer.

The following applications are not permitted, e.g.:

- Industrial trucks according to EN ISO 3691
- Lifting appliances according to EN 14502
- Passenger lifts according to DIN 15306 and 15309
- Service lifts according to EN 81-1/A1

- Escalators
- Continuous duty
- Buried service
- Permanent submersion (observe enclosure protection)
- Potentially explosive areas, with the exception of zone 22
- Radiation exposed areas in nuclear power plants

No liability can be assumed for inappropriate or unintended use.

Observance of these operation instructions is considered as part of the device's designated use.

Information These operation instructions are only valid for the "clockwise closing" standard version, i.e. driven shaft turns clockwise to close the valve.

1.3. Applications in Ex zone 22 (option)

Actuators of the indicated series basically meet the requirements for applications in dust hazardous locations of ZONE 22 in compliance with the ATEX directive 94/9/EC.

The actuators are designed to meet enclosure protection IP68 and fulfil the requirements of EN 50281-1-1:1998 section 6 - Electrical apparatus for use in presence of combustible dust, requirements for category 3 electrical equipment - protected by enclosures.

To comply with all requirements of EN 50281-1-1:1998, it is imperative that the following points are observed:

- In compliance with the ATEX directive 94/9/EC, the actuators must be equipped with an additional identification – II3D IP6X T150 °C.
- The maximum surface temperature of the actuators, based on an ambient temperature of +40 °C in accordance with EN 50281-1-1 section 10.4, is +150 °C. In accordance with section 10.4, an increased dust deposit on the equipment was not considered for the determination of the maximum surface temperature.
- The correct connection of the thermostiches or the PTC thermistors as well as fulfilling the requirements of the duty type and the technical data are pre-requisites for compliance with the maximum surface temperature of devices.
- The connection plug may only be plugged in or pulled out when device is disconnected from the mains.
- The cable glands used also have to meet the requirements of category II3 D and must at least comply with enclosure protection IP68.
- The actuators must be connected by means of an external ground connection (accessory part) to the potential compensation or integrated into an earthed piping system.
- As a general rule, the requirements of EN 50281-1-1 must be respected in dust hazardous locations. During commissioning, service, and maintenance, special care as well as qualified and trained personnel are required for the safe operation of actuators.

1.4. Warnings and notes

The following warnings draw special attention to safety-relevant procedures in these operation instructions, each marked by the appropriate signal word (DANGER, WARNING, CAUTION, NOTICE).

 **DANGER**

Indicates an imminently hazardous situation with a high level of risk. Failure to observe this warning could result in death or serious injury.

 **WARNING**

Indicates a potentially hazardous situation with a medium level of risk. Failure to observe this warning could result in death or serious injury.



Indicates a potentially hazardous situation with a low level of risk. Failure to observe this warning may result in minor or moderate injury. May also be used with property damage.



Potentially hazardous situation. Failure to observe this warning may result in property damage. Is not used for personal injury.


Arrangement and typographic structure of the warnings



Type of hazard and respective source!

Potential consequence(s) in case of non-observance (option)

- Measures to avoid the danger
- Further measure(s)

Safety alert symbol  warns of a potential personal injury hazard.

The signal word (here: DANGER) indicates the level of hazard.

1.5. References and symbols

The following references and symbols are used in these instructions:

Information The term **Information** preceding the text indicates important notes and information.

 Symbol for CLOSED (valve closed)

 Symbol for OPEN (valve open)

✓ Important information before the next step. This symbol indicates what is required for the next step or what has to be prepared or observed.

< > Reference to other sections

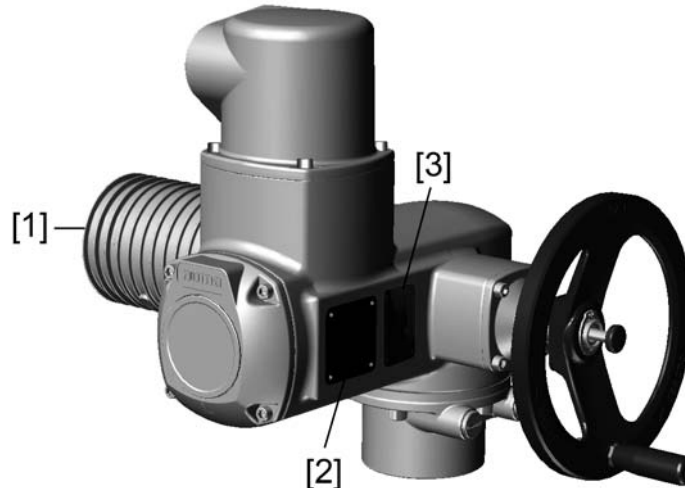
Terms in brackets shown above refer to other sections of the document which provide further information on this topic. These terms are either listed in the index, a heading or in the table of contents and may quickly be found.

2. Identification

2.1. Name plate

Each device component (actuator, motor) is equipped with a name plate.

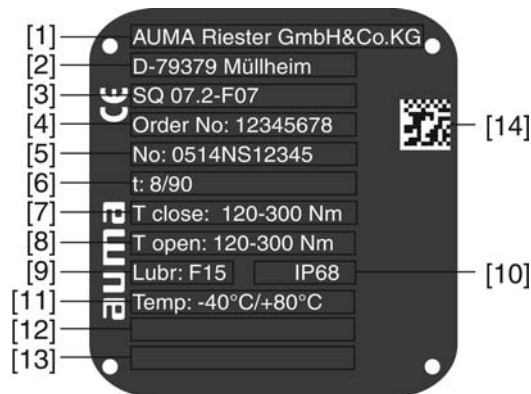
Figure 1: Arrangement of name plates



- [1] Motor name plate
- [2] Actuator name plate
- [3] Additional plate, e.g. KKS plate (Power Plant Classification System)

Description of actuator name plate

Figure 2: Actuator name plate (example)



- [1] Name of manufacturer
- [2] Address of manufacturer
- [3] **Type designation**
- [4] **Order number**
- [5] **Actuator serial number**
- [6] Operating time in [s] for a part-turn movement of 90°
- [7] Torque range in direction CLOSE
- [8] Torque range in direction OPEN
- [9] Type of lubricant
- [10] Enclosure protection
- [11] Permissible ambient temperature
- [12] Can be assigned as an option upon customer request
- [13] Can be assigned as an option upon customer request
- [14] **Data Matrix code**

Type designation Figure 3: Type designation (example)

SQ 07.2 - F07

↑ 1. ↑ 2.

1. Type and size of actuator
2. Flange size

Type and size

These instructions apply to the following devices types and sizes:

Part-turn actuators for open-close duty: SQ 05.2, 07.2, 10.2, 12.2, 14.2

Part-turn actuators for modulating duty: SQR 05.2, 07.2, 10.2, 12.2, 14.2

Order number The product can be identified using this number and the technical data as well as order-related data pertaining to the device can be compiled.

Please always state this number for any product inquiries.

On the Internet at <http://www.auma.com>, we offer a service allowing authorised users to download order-related documents such as wiring diagrams and technical data (both in German and English), inspection certificates and the operation instructions when entering the order number.

Actuator serial number Table 1: Description of serial number (with example)

05	14	NS12345	
1st + 2nd position: Assembly in week			
05	Week 05		
3rd + 4th position: Year of manufacture			
	14	Year of manufacture: 2014	
All other positions			
		NS12345	Internal number for unambiguous product identification

Data Matrix code When registered as authorised user, you may use the **AUMA Support App** to scan the Data Matrix code and directly access the order-related product documents without having to enter order number of serial number.

Figure 4: Link to the App store:



2.2. Short description

Part-turn actuator Definition in compliance with EN ISO 5211:

A part-turn actuator is an actuator which transmits a torque to the valve for less than one full revolution. It need not be capable of withstanding thrust.

AUMA part-turn actuators are driven by an electric motor. A handwheel is provided for manual operation. Switching off in end positions may be either by limit or torque seating. Controls are required to operate or process the actuator signals.

Actuators without controls can be equipped with AUMA actuator controls at a later date. For more information, please state our order number (refer to actuator name plate).

3. Transport, storage and packaging

3.1. Transport

For transport to place of installation, use sturdy packaging.



Hovering load!

Risk of death or serious injury.

- Do NOT stand below hovering load.
- Attach ropes or hooks for the purpose of lifting by hoist only to housing and NOT to handwheel.
- Actuators mounted on valves: Attach ropes or hooks for the purpose of lifting by hoist to valve and NOT to actuator.
- Actuators mounted to gearboxes: Attach ropes or hooks for the purpose of lifting by hoist only to the gearbox using eyebolts and NOT to the actuator.
- Actuators mounted to controls: Attach ropes or hooks for the purpose of lifting by hoist only to the actuator and NOT to the controls.

3.2. Storage



Danger of corrosion due to inappropriate storage!

- Store in a well-ventilated, dry room.
- Protect against floor dampness by storage on a shelf or on a wooden pallet.
- Cover to protect against dust and dirt.
- Apply suitable corrosion protection agent to uncoated surfaces.

Long-term storage

If the device must be stored for a long period (more than 6 months) the following points must be observed in addition:

1. Prior to storage:
Protect uncoated surfaces, in particular the output drive parts and mounting surface, with long-term corrosion protection agent.
2. At an interval of approx. 6 months:
Check for corrosion. If first signs of corrosion show, apply new corrosion protection.

3.3. Packaging

Our products are protected by special packaging for transport when leaving the factory. The packaging consists of environmentally friendly materials which can easily be separated and recycled. We use the following packaging materials: wood, cardboard, paper, and PE foil. For the disposal of the packaging material, we recommend recycling and collection centres.

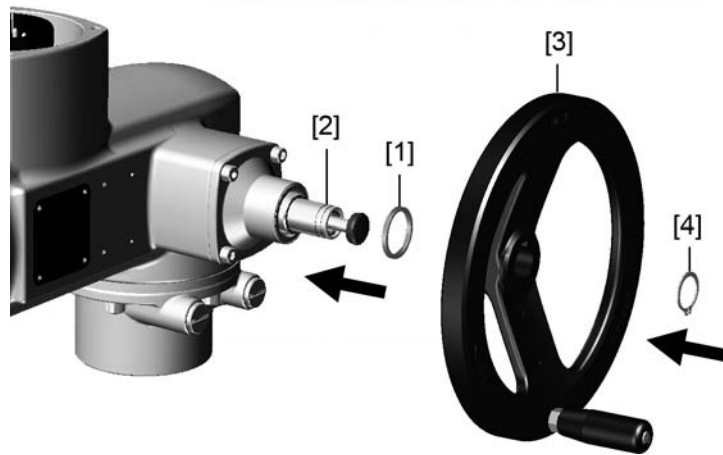
4. Assembly

4.1. Mounting position

AUMA actuators can be operated without restriction in any mounting position.

4.2. Handwheel fitting

Figure 5: Handwheel



- [1] Spacer
- [2] Input shaft
- [3] Handwheel
- [4] Circlip

1. If required, fit spacer [1] onto input shaft [2].
2. Slip handwheel [3] onto input shaft.
3. Secure handwheel [3] using the circlip [4] supplied.

4.3. Actuator: mount to valve

NOTICE

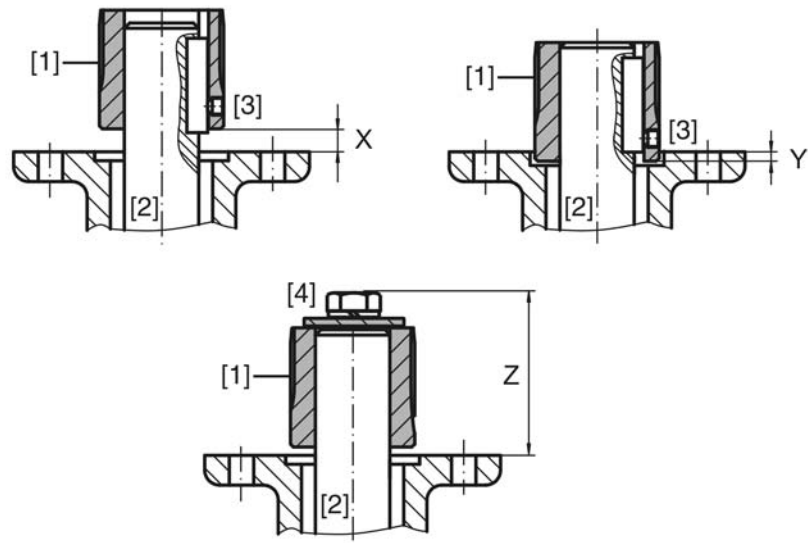
Danger of corrosion due to damage to paint finish and condensation!

- Touch up damage to paint finish after work on the device.
- After mounting, connect the device immediately to electrical mains to ensure that heater minimises condensation.

The actuator is mounted to the valve using a coupling (standard) or via lever. Separate instructions are available for actuator mounting to the valve when equipped with base and lever.

4.3.1. Valve attachment via coupling

Dimensions Figure 6: Coupling fitting dimensions



- [1] Coupling
- [2] Valve shaft
- [3] Grub screw
- [4] Screw

Table 2: Coupling fitting dimensions

Type, size - output mounting flange	X max [mm]	Y max [mm]	Z max [mm]
SQ/SQR 05.2-F05/F07	3	2	40
SQ/SQR 07.2-F05/F07	3	2	40
SQ/SQR 07.2-F10	3	2	66
SQ/SQR 10.2-F10	4	5	50
SQ/SQR 10.2-F12	4	5	82
SQ/SQR 12.2-F12	5	10	61
SQ/SQR 12.2-F14	5	10	101
SQ/SQR 14.2-F14	8	10	75
SQ/SQR 14.2-F16	8	10	125

Assembly

Information: Mount valve and actuator in the same end position.

- For butterfly valves: Recommended mounting position is end position CLOSED.
 - For ball valves: Recommended mounting position is end position OPEN.
1. Thoroughly degrease mounting faces of output mounting flanges.
 2. Apply a small quantity of grease to the valve shaft [2].
 3. Use handwheel to run actuator to mechanical end stop.
 4. Place coupling [1] onto valve shaft [2] and secure against axial slipping by using a grub screw, a circlip or a screw. Thereby, ensure that dimensions X, Y or Z are observed (refer to figure and table <Coupling fitting dimensions>).
 5. Apply non-acidic grease at splines of coupling.
 6. Fit actuator.

Information: Ensure that the spigot (if provided) fits uniformly in the recess and that the flanges are in complete contact.

7. If flange bores do not match thread:
 - 7.1 Slightly rotate handwheel until bores line up.
 - 7.2 If required, shift actuator position by one tooth on the coupling.

8. Fasten actuator with screws [4].

Information: We recommend applying liquid thread sealing material to the screws to avoid contact corrosion.

→ Fasten screws [4] crosswise with a torque according to table.

Table 3: Tightening torques for screws

Screws Threads	Tightening torque T_A [Nm]
	Strength class 8.8
M6	11
M8	25
M10	51
M12	87
M16	214

5. Electrical connection

5.1. Basic information



Danger due to incorrect electrical connection

Failure to observe this warning can result in death, serious injury, or property damage.

- The electrical connection must be carried out exclusively by suitably qualified personnel.
- Prior to connection, observe basic information contained in this chapter.
- After connection but prior to applying the voltage, observe the <Commissioning> and <Test run> chapters.

Wiring diagram/terminal plan

The pertaining wiring diagram/terminal plan (both in German and English) is attached to the device in a weather-proof bag, together with these operation instructions. It can also be requested from AUMA (state order number, refer to name plate) or downloaded directly from the Internet (<http://www.auma.com>).

NOTICE

Valve damage for connection without controls!

- NORM actuators require controls: Connect motor via controls only (reversing contactor circuit).
- Observe the type of seating specified by the valve manufacturer.
- Observe wiring diagram.

Delay time

The delay time is the time from the tripping of the limit or torque switches to the motor power being switched off. To protect the valve and the actuator, we recommend a delay time < 50 ms. Longer delay times are possible provided the operating time, output drive type, valve type, and the type of installation are considered. We recommend switching off the corresponding contactor directly by limit or torque switch.

Protection on site

For short-circuit protection and for disconnecting the actuator from the mains, fuses and disconnect switches have to be provided by the customer.

The current value for respective sizing is derived from the current consumption of the motor (refer to electrical data sheet).

Limit and torque switches

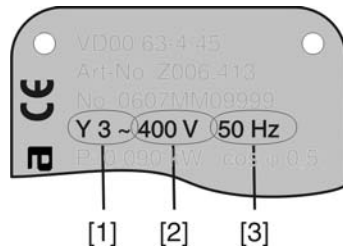
Limit and torque switches can be provided as single, tandem, or triple switches. Only the same potential can be switched on the two circuits (NC/NO contact) of each single switch. If different potentials are to be switched simultaneously, tandem switches or triple switches are required. When using tandem/triple switches:

- For signalling use the leading contacts TSC1, TSO1, LSC1, LSO1.
- For switching off use the lagging contacts TSC, TSO, LSC, LSO.

Type of current, mains voltage and mains frequency

Type of current, mains voltage and mains frequency must match the data on the motor name plate.

Figure 7: Motor name plate (example)



- [1] Type of current
- [2] Mains voltage
- [3] Mains frequency (for 3-ph and 1-ph AC motors)

Connecting cables

- For device insulation, appropriate (voltage-proof) cables must be used. Specify cables for the highest occurring rated voltage.
- Use connecting cable with appropriate minimum rated temperature.
- For connecting cables exposed to UV radiation (outdoor installation), use UV resistant cables.

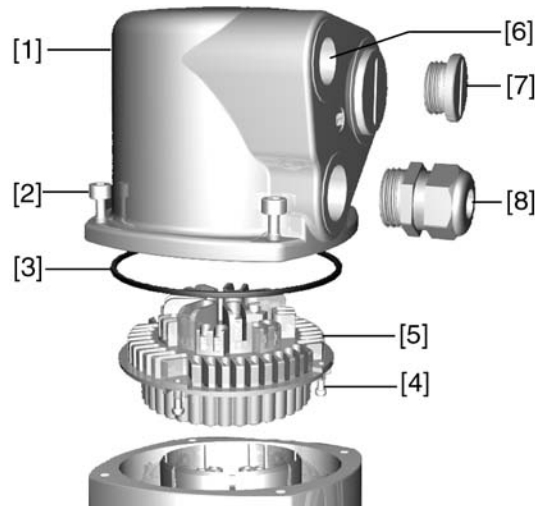
5.2. Connection with AUMA plug/socket connector

Cross sections AUMA plug/socket connector:

- Power terminals (U1, V1, W1, U2, V2, W2): max. 6 mm² flexible/10 mm² solid
- PE connection Ⓢ: max. 6 mm² flexible/10 mm² solid
- Control contacts (1 to 50): max. 2.5 mm²

5.2.1. Terminal compartment: open

Figure 8: Connection AUMA plug/socket connector, version S



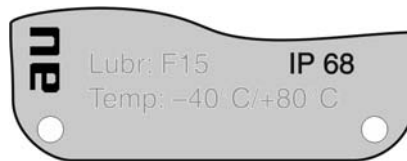
- [1] Cover
- [2] Screws for cover
- [3] O-ring
- [4] Screws for socket carrier
- [5] Socket carrier
- [6] Cable entry
- [7] Blanking plug
- [8] Cable gland (not included in delivery)

DANGER**Hazardous voltage!***Risk of electric shock.*

→ Disconnect device from the mains before opening.

1. Loosen screws [2] and remove cover [1].
 2. Loosen screws [4] and remove socket carrier [5] from cover [1].
 3. Insert cable glands [8] suitable for connecting cables.
- ➔ The enclosure protection IP... stated on the name plate is only ensured if suitable cable glands are used.

Figure 9: Example: Name plate shows enclosure protection IP68



4. Seal unused cable entries [6] with suitable blanking plugs [7].
5. Insert the cables into the cable glands [8].

5.2.2. Cable connection

✓ Observe permissible cross sections.

NOTICE**Danger of motor damage if PTC thermistors or thermostats are not connected!***Our warranty for the motor will lapse if the motor protection is not connected.*

→ Connect PTC thermistors or thermostats to external controls.

NOTICE**Danger of corrosion: Damage due to condensation!**

→ After mounting, commission the device immediately to ensure that heater minimises condensation.

1. Remove cable sheathing.
2. Strip wires.
3. For flexible cables: Use end sleeves according to DIN 46228.
4. Connect cables according to order-related wiring diagram.



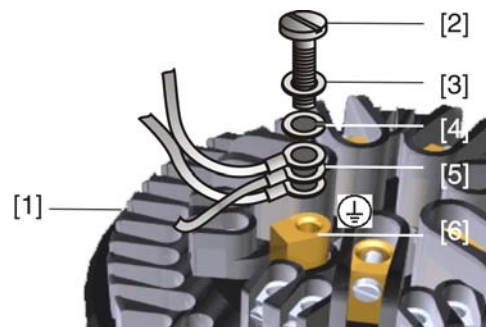
In case of a fault: Hazardous voltage while protective earth conductor is NOT connected!

Risk of electric shock.

- Connect all protective earth conductors.
- Connect PE connection to external protective earth conductor of connecting cables.
- Start running the device only after having connected the protective earth conductor.

5. Tighten PE conductors firmly to PE connection using ring lugs (flexible cables) or loops (rigid cables).

Figure 10: PE connection

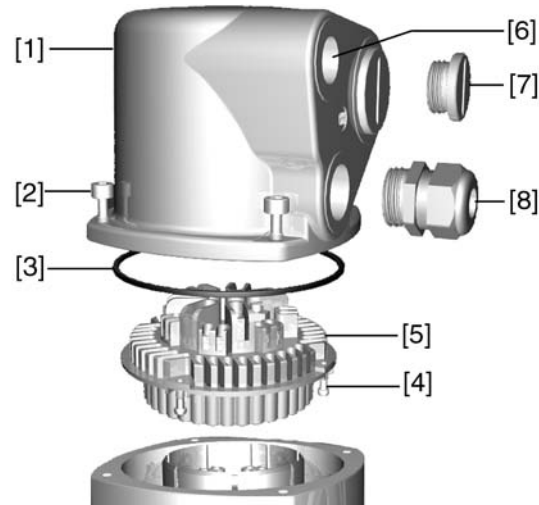


- [1] Socket carrier
- [2] Screw
- [3] Washer
- [4] Lock washer
- [5] Protective earth with ring lugs/loops
- [6] PE connection, symbol: ⊕

Information Some actuators are equipped with an additional motor heater. The motor heater minimises condensation within the motor.

5.2.3. Terminal compartment: close

Figure 11: Example: Version S



- [1] Cover
- [2] Screws for cover
- [3] O-ring
- [4] Screws for socket carrier
- [5] Socket carrier
- [6] Cable entry
- [7] Blanking plug
- [8] Cable gland (not included in delivery)



Short-circuit due to pinching of cables!

Risk of electric shock and functional failures.

→ Carefully fit socket carrier to avoid pinching the cables.

1. Insert the socket carrier [5] into the cover [1] and fasten with screws [4].
2. Clean sealing faces of cover [1] and housing.
3. Check whether O-ring [3] is in good condition, replace if damaged.
4. Apply a thin film of non-acidic grease (e.g. petroleum jelly) to the O-ring and insert it correctly.
5. Fit cover [1] and fasten screws [2] evenly crosswise.
6. Fasten cable glands [8] applying the specified torque to ensure the required enclosure protection.

5.3. Accessories for electrical connection

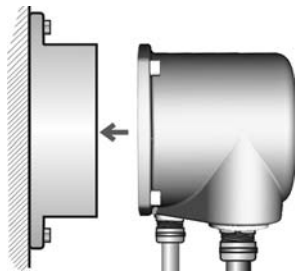
— Option —

5.3.1. Parking frame

Application Parking frame for safe storage of a disconnected plug.

For protection against touching the bare contacts and against environmental influences.

Figure 12: Parking frame



5.3.2. Protection cover

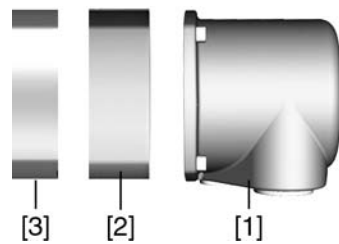
Protection cover for plug compartment when plug is removed.

The open terminal compartment can be closed using a protective cover (not illustrated).

5.3.3. Double sealed intermediate frame

When removing the electrical connection or due to leaky cable glands, ingress of dust and water into the housing may occur. This is prevented effectively by inserting the double sealed intermediate frame [2] between the plug/socket connector [1] and the housing of the device. The enclosure protection of the device (IP68) will not be affected, even if the electrical connection [1] is removed.

Figure 13: Electrical connection with double sealed intermediate frame

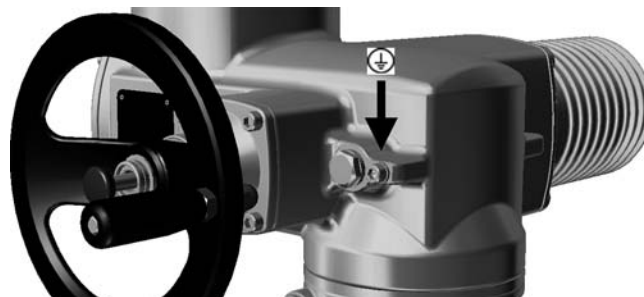


- [1] Electrical connection
- [2] Double sealed intermediate frame
- [3] Actuator housing

5.3.4. Earth connection, external

As an option, the housing is equipped with an external earth connection (U-bracket) to connect the device to the equipotential earth bonding.

Figure 14: Earth connection



6. Operation

6.1. Manual operation

For purposes of setting and commissioning, in case of motor or power failure, the actuator may be operated manually. Manual operation is engaged by an internal change-over mechanism.

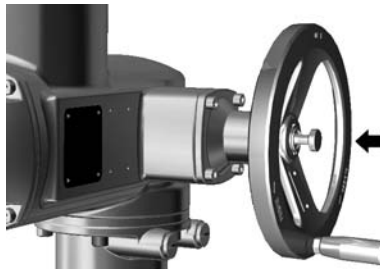
6.1.1. Manual operation: engage

NOTICE

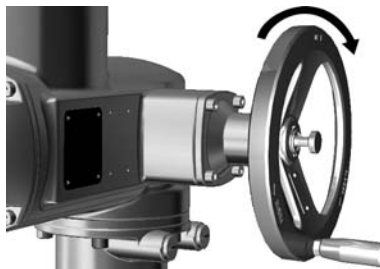
Damage at the motor coupling due to faulty operation!

→ Engage manual operation only during motor standstill.

1. Press push button.



2. Turn handwheel in desired direction.
 - To close the valve, turn handwheel clockwise:
 - ➔ Drive shaft (valve) turns clockwise in direction CLOSE.



6.1.2. Manual operation: disengage

Manual operation is automatically disengaged when motor is started again. The handwheel does not rotate during motor operation.

6.2. Motor operation

NOTICE

Valve damage due to incorrect setting!

→ Perform all commissioning settings and the test run prior to motor operation.

Controls are required to operate an actuator during motor operation. If the actuator is to be operated locally, additional local controls are required.

1. Switch on power supply.
2. To close the valve, switch on motor operation in direction CLOSE.
 - ➔ Valve shaft turns clockwise in direction CLOSE.

7. Indications

7.1. Mechanical position indicator/running indication

Mechanical position indicator:

- Continuously indicates the valve position
(For a swing angle of 90°, the indicator disc [2] rotates by approximately 180°.)
- Indicates whether the actuator is running (running indication)
- Indicates that the end positions are reached (via indicator mark [3])

Figure 15: Mechanical position indicator



- [1] Cover
- [2] Indicator disc
- [3] Mark
- [4] Symbol for position OPEN
- [5] Symbol for position CLOSED

8. Signals

8.1. Feedback signals from actuator

Information Switches can be provided as single switches (1 NC and 1 NO), as tandem switches (2 NC and 2 NO) or as triple switches (3 NC und 3 NO). The precise version is indicated in the terminal plan or on the order-related technical data sheet.

Feedback signal	Type and designation in terminal plan	
End position OPEN/CLOSED reached	Setting via limit switching Switches: 1 NC and 1 NO (standard)	
	LSC (WSR)	Limit switch, closing, clockwise rotation
	LSO	Limit switch, opening, counterclockwise rotation
Intermediate position reached (option)	Setting via DUO limit switching Switches: 1 NC and 1 NO (standard)	
	LSA	DUO limit switch, clockwise rotation
	LSB (WDL)	DUO limit switch, counterclockwise rotation
Torque OPEN/CLOSED reached	Setting via torque switching Switches: 1 NC and 1 NO (standard)	
	TSC	Torque switch, closing, clockwise rotation
	TSO (DÖL)	Torque switch, opening, counterclockwise rotation
Motor protection tripped	Thermoswitches or PTC thermistors, depending on the version	
	F1, Th	Thermoswitches
	R3	PTC thermistors
Running indication (option)	Switches: 1 NC (standard)	
	S5, BL	Blinker transmitter
Valve position (option)	Depending on version either with potentiometer or electronic position transmitter EWG/RWG	
	R2	Potentiometer
	R2/2	Potentiometer in tandem arrangement (option)
	B1/B2, EWG/RWG	3-wire or 4-wire system (0/4– 20 mA)
	B3/B4, EWG/RWG	2-wire system (4 – 20 mA)
Manual operation active (option)		Switches

9. Commissioning

9.1. End stops in part-turn actuator

The internal end stops limit the swing angle. They protect the valve in the event of limit switching failure.

End stop setting is generally performed by the valve manufacturer **prior** to installing the valve into the pipework.



Exposed, rotating parts (discs/balls) at the valve!

Pinching and damage by valve or actuator.

- End stops should be set by suitably qualified personnel only.
- Never completely remove the setting screws [2] and [4] to avoid grease leakage.
- Observe dimension T_{min} .

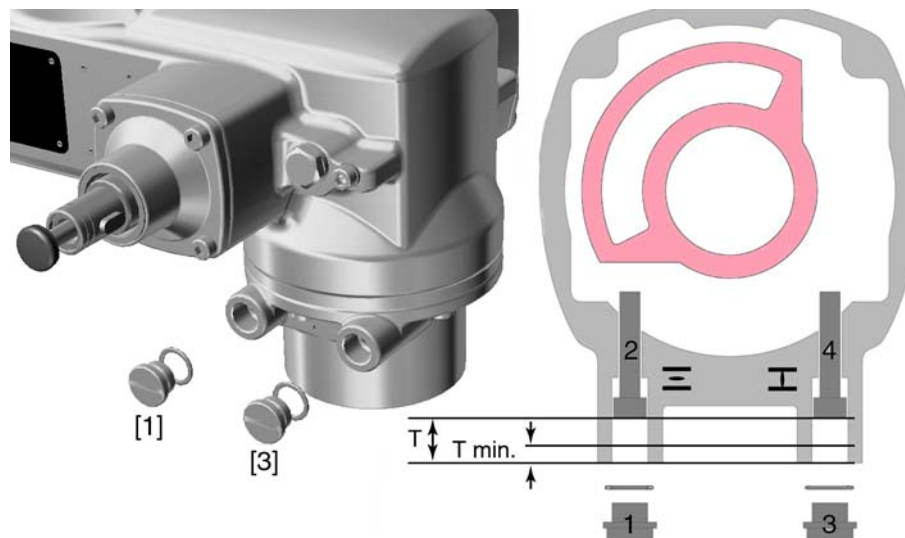
Information

- The swing angle set in the factory is indicated on the name plate:



- The setting sequence depends on the valve:
 - Recommendation for **butterfly valves**: Set end stop CLOSED first.
 - Recommendation for **ball valves**: Set end stop OPEN first.

Figure 16: End stop



- [1] Screw plug for end stop OPEN
- [2] Setting screw for end stop OPEN
- [3] Screw plug for end stop CLOSED
- [4] Setting screw for end stop CLOSED

Dimensions/sizes	05.2	07.2	10.2	12.2	14.2
T (for 90°)	17	17	20	23	23
T_{min} .	11	11	12	13	12

9.1.1. End stop CLOSED: set

1. Remove screw plug [3].
2. Move valve to end position CLOSED with handwheel.
3. If the valve end position is not reached:
 - Slightly turn setting screw [4] counterclockwise until valve end position CLOSED can be safely set.
 - ➔ Turning the setting screw [4] clockwise results in a smaller swing angle.
 - ➔ Turning the setting screw [4] counterclockwise results in a larger swing angle.



4. Turn setting screw [4] clockwise to the stop.
 - ➔ This completes the setting of end stop CLOSED.
 5. Check O-ring in screw plug and replace if damaged.
 6. Fasten and tighten screw plug [3].
- Having completed this procedure, the end position detection CLOSED can be set immediately.

9.1.2. End stop OPEN: set

Information In general, the end stop OPEN does not have to be set.

1. Remove screw plug [1].
2. Move valve to end position OPEN with handwheel.
3. If the valve end position is not reached:
 - Slightly turn setting screw [2] counterclockwise until valve end position OPEN can be safely set.
 - ➔ Turning the setting screw [2] clockwise results in a smaller swing angle.
 - ➔ Turning the setting screw [2] counterclockwise results in a larger swing angle.

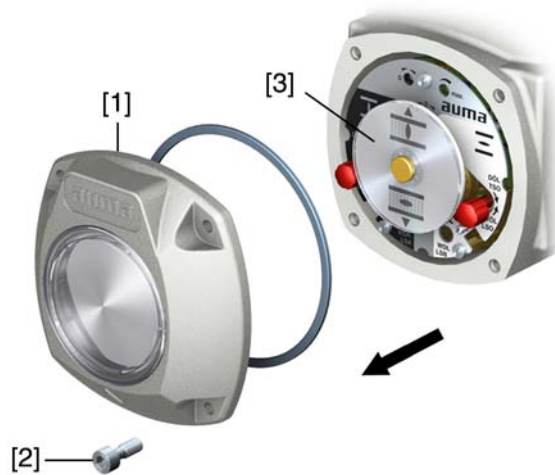


4. Turn setting screw [2] clockwise to the stop.
 - ➔ This completes the setting of end stop OPEN.
 5. Check O-ring in screw plug and replace if damaged.
 6. Fasten and tighten screw plug [1].
- Having completed this procedure, the end position detection OPEN can be set immediately.

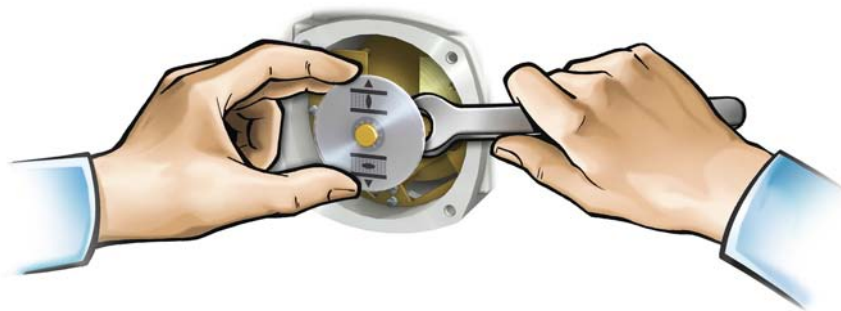
9.2. Switch compartment: open

The switch compartment must be opened to perform the following settings (options).

1. Loosen screws [2] and remove cover [1] from the switch compartment.



2. If indicator disc [3] is available:
Remove indicator disc [3] using a spanner (as lever).
Information: To avoid damage to paint finish, use spanner in combination with soft object, e.g. fabric.



9.3. Torque switching: set

Once the set torque is reached, the torque switches will be tripped (overload protection of the valve).

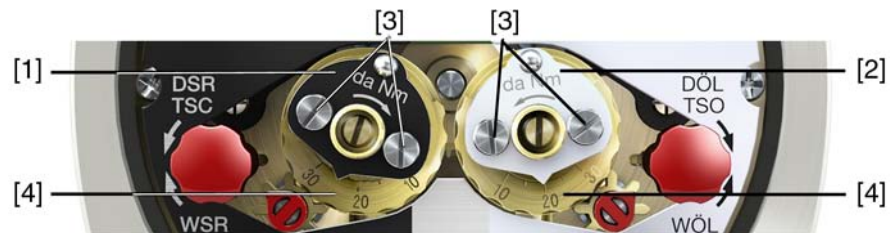
Information The torque switches may also trip during manual operation.

NOTICE

Valve damage due to excessive tripping torque limit setting!

- The tripping torque must suit the valve.
- Only change the setting with the consent of the valve manufacturer.

Figure 17: Torque measuring heads



- [1] Torque switching head black in direction CLOSE
- [2] Torque switching head white in direction OPEN
- [3] Lock screws
- [4] Torque dials

1. Loosen both lock screws [3] at the indicator disc.

2. Turn torque dial [4] to set the required torque (1 da Nm = 10 Nm). Example:
 - Black torque switching head set to approx. 25 da Nm $\hat{=}$ 250 Nm for direction CLOSE
 - White torque switching head set to approx. 20 da Nm $\hat{=}$ 200 Nm for direction OPEN
3. Fasten lock screws [3] again.

Information: Maximum tightening torque: 0.3 – 0.4 Nm

➔ The torque switch setting is complete.

9.4. Limit switching: set

The limit switching records the travel. When reaching the preset position, switches are operated.

Figure 18: Setting elements for limit switching



Black section:

- [1] Setting spindle: End position CLOSED
- [2] Pointer: End position CLOSED
- [3] Mark: End position CLOSED is set

White section:

- [4] Setting spindle: End position OPEN
- [5] Pointer: End position OPEN
- [6] Mark: End position OPEN is set

9.4.1. End position CLOSED (black section): set

1. Engage manual operation.
2. Turn handwheel clockwise until valve is closed.
3. **Press down** and turn setting spindle [1] with screw driver in direction of the arrow and observe the pointer [2]: While a ratchet click is felt and heard, the pointer [2] moves 90° every time.
4. If the pointer [2] is 90° from mark [3]: Continue turning slowly.
5. If the pointer [2] moves to mark [3]: Stop turning and release setting spindle.

➔ The end position CLOSED setting is complete.
6. If you override the tripping point inadvertently (ratchet click is heard after the pointer has snapped): Continue turning the setting spindle in the same direction and repeat setting process.

9.4.2. End position OPEN (white section): set

1. Engage manual operation.
2. Turn handwheel counterclockwise until valve is open.

3. **Press down** and turn setting spindle [4] with screw driver in direction of the arrow and observe the pointer [5]: While a ratchet click is felt and heard, the pointer [5] moves 90° every time.
4. If the pointer [5] is 90° from mark [6]: Continue turning slowly.
5. If the pointer [5] moves to mark [6]: Stop turning and release setting spindle.
- ➔ The end position OPEN setting is complete.
6. If you override the tripping point inadvertently (ratchet click is heard after the pointer has snapped): Continue turning the setting spindle in the same direction and repeat setting process.

9.5. Intermediate positions: set

— Option —

Actuators equipped with DUO limit switching contain two intermediate position switches. One intermediate position may be set for each running direction.

Figure 19: Setting elements for limit switching



Black section:

- [1] Setting spindle: Running direction CLOSE
- [2] Pointer: Running direction CLOSE
- [3] Mark: Intermediate position CLOSED is set

White section:

- [4] Setting spindle: Running direction OPEN
- [5] Pointer: Running direction OPEN
- [6] Mark: Intermediate position OPEN is set

9.5.1. Running direction CLOSE (black section): set

1. Move valve in direction CLOSE to desired intermediate position.
2. If you override the tripping point inadvertently: Turn valve in opposite direction and approach intermediate position again in direction CLOSE.
- Information:** Always approach the intermediate position in the same direction as in later electrical operation.
3. **Press down** and turn setting spindle [1] with screw driver in direction of the arrow and observe the pointer [2]: While a ratchet click is felt and heard, the pointer [2] moves 90° every time.
4. If the pointer [2] is 90° from mark [3]: Continue turning slowly.
5. If the pointer [2] moves to mark [3]: Stop turning and release setting spindle.
- ➔ The intermediate position setting in running direction CLOSE is complete.
6. If you override the tripping point inadvertently (ratchet click is heard after the pointer has snapped): Continue turning the setting spindle in the same direction and repeat setting process.

9.5.2. Running direction OPEN (white section): set

1. Move valve in direction OPEN to desired intermediate position.
2. If you override the tripping point inadvertently: Move valve in opposite direction and approach intermediate position again in direction OPEN (always approach the intermediate position in the same direction as in later electrical operation).
3. **Press down** and turn setting spindle [4] with screw driver in direction of the arrow and observe the pointer [5]: While a ratchet click is felt and heard, the pointer [5] moves 90° every time.
4. If the pointer [5] is 90° from mark [6]: Continue turning slowly.
5. If the pointer [5] moves to mark [6]: Stop turning and release setting spindle.
- ➔ The intermediate position setting in running direction OPEN is complete.
6. If you override the tripping point inadvertently (ratchet click is heard after the pointer has snapped): Continue turning the setting spindle in the same direction and repeat setting process.

9.6. Test run

Perform test run only once all settings previously described have been performed.

9.6.1. Direction of rotation: check

NOTICE

Valve damage due to incorrect direction of rotation!

- If the direction of rotation is wrong, switch off immediately.
- Correct phase sequence.
- Repeat test run.

1. Move actuator manually to intermediate position or to sufficient distance from end position.
2. Switch on actuator in direction CLOSE and observe the direction of rotation on the indicator disc.
 - Switch off before reaching the end position.
- ➔ The direction of rotation is correct if **actuator runs in direction CLOSE** and **indicator disc turns counterclockwise**.



9.6.2. Limit switching: check

1. Move actuator manually into both end positions of the valve.
 - ➔ The limit switching is set correctly if:
 - LSC switch trips in end position CLOSED
 - LSO switch trips in end position OPEN
 - the switches release the contacts after turning back the handwheel
2. If the end position setting is incorrect: Reset limit switching.

3. If the end position setting is correct and no options (e.g. potentiometer, position transmitter) are available: Close switch compartment.

9.7. Electronic position transmitter EWG 01.1

— Option —

The electronic position transmitter EWG 01.1 signals the remote position or the valve position. On the basis of the actual valve position sensed by hall sensor, a current signal between 0 – 20 mA or 4 – 20 mA is generated.

Technical data

Table 4: EWG 01.1

Data	3-wire or 4-wire system	2-wire system
Output current I_a	0 – 20 mA, 4 – 20 mA	4 – 20 mA
Power supply U_V ¹⁾	24 V DC (18 – 32 V)	24 V DC (18 – 32 V)
Max. current consumption	LED off = 26 mA, LED on = 27 mA	20 mA
Max. load R_B	600 Ω	$(U_V - 12 V)/20 \text{ mA}$
Impact of power supply		0.1 %
Load influence		0.1 %
Temperature impact		< 0.1 ‰/K
Ambient temperature ²⁾		-60 °C to +80 °C

- 1) Power supply possible via: AC, AM controls or external power supply
- 2) Depending on temperature range of the actuator: Refer to name plate

Setting elements

The EWG is housed in the actuator switch compartment. The switch compartment must be opened to perform any settings. → Refer to <Switch compartment: open>. All settings are made via the two push buttons [S1] and [S2].

Figure 20: View on control unit when switch compartment is open



- [S1] Push button: Set 0/4 mA
- [S2] Push button: Set 20 mA
- LED Optical aid for setting
- [1] Measuring point (+) 0/4 – 20 mA
- [2] Measuring point (-) 0/4 – 20 mA

The output current (measuring range 0 – 20 mA) can be checked at measuring points [1] and [2].

Table 5: Short overview on push button functions

Push buttons	Function
[S1] + [S2]	→ press simultaneously for 5 s: Activate setting mode
[S1]	→ press in setting mode for 3 s: Set 4 mA → press in setting mode for 6 s: Set 0 mA → press in operation for 3 s: Switch on/off LED end position signalling. → touch in end position: Reduce current value by 0.02 mA
[S2]	→ press in setting mode for 3 s: Set 20 mA → press in operation for 3 s: Switch on/off LED end position signalling. → touch in end position: Increase current value by 0.02 mA

9.7.1. Measuring range: set

For measuring range setting, voltage must be applied at the position transmitter.

Information

- Both measuring ranges 0/4 – 20 mA and 20 – 0/4 mA (inverse operation) can be set. During setting process, the measuring range (normal or inverse operation) is assigned to the end positions by push button S1/S2 assignment.
- Setting mode activating clears the setting in both end positions and sets the output current to a value of 3.5 mA. After activation, both end values (0/4 mA and 20 mA) need to be reset.
- In case of inadvertent incorrect adjustment, the settings can always be reset by renewed activation of the setting mode (simultaneous pressing of [S1] and [S2]).

Activate setting mode

1. Press both push buttons [S1] and [S2] and hold down for 5 seconds:



- ➔ By pulsing double flashes, the LED indicates that the setting mode is correctly activated:



- ➔ For any other LED flash sequence (single/triple flashing): → Refer to <Faults during commissioning>.

Set measuring range

2. Operate valve in one of the end positions (OPEN/CLOSED).
3. Set desired output current (0/4 mA or 20 mA):
 - for **4 mA**: Hold down push button [S1] for approx. 3 seconds, until **LED is slowly blinking**
 - for **0 mA**: Hold down push button [S1] for approx. 6 seconds, until **LED is blinking fast**
 - for **20 mA**: Hold down push button [S2] for approx. 3 seconds, until **LED is illuminated**
4. Operate valve into opposite end position.
 - ➔ The value set in end position (0/4 mA or 20 mA) does not change during travel in setting mode.
5. Perform setting in the second end position following the same steps.

6. Approach both end positions again to check the setting.
 - If the measuring range cannot be set:
Refer to <Faults during commissioning>.
 - If the current values (0/4/20 mA) are incorrect:
Refer to <Current values: adjust>.
 - If the current value fluctuates (e.g. between 4.0 – 4.2 mA):
<LED end position signalling: switch on/off>.

9.7.2. Current values: adjust

The current values (0/4/20 mA) set in end positions can be adjusted at any time. Conventional values are e.g. 0.1 mA (instead of 0 mA) or 4.1 mA (instead 4 mA).

Information If the current value fluctuates (e.g. between 4.0 – 4.2 mA), the <LED end position signalling> must be switched on for current adjustment.




- Operate valve in desired end position (OPEN/CLOSED).
 - Reduce current value: Press push button [S1]
(the current is reduced by 0.02 mA every time the push button is pressed)
 - Increase current value Press push button [S2]
(the current is increased by 0.02 mA every time the push button is pressed)

9.7.3. LED end position signalling: switch on/off

The LED behaviour for end position reached can be set as follows: blinking/continuous illumination or no illumination. During setting mode, end positions signalling is switched on.

- Switching on and off**
1. Operate valve in one of the end positions (OPEN/CLOSED).
 2. Hold down push buttons [S1] or [S2] for approx. 3 seconds.
- ➡ End position signalling is switched on or off.

Table 6: LED behaviour when end position signalling is switched on

Set output current	LED behaviour in end position
4 mA	 LED is blinking slowly
0 mA	 LED is blinking fast
20 mA	 LED is illuminated

9.8. Potentiometer

— Option —

The potentiometer is used as travel sensor and records the valve position.

Setting elements The potentiometer is housed in the actuator switch compartment. The switch compartment must be opened to perform any settings. → Refer to <Switch compartment: open>.

Setting is made via potentiometer [1].

Figure 21: View on control unit



[1] Potentiometer

9.8.1. Potentiometer setting

Information Due to the ratio of the reduction gearing, the complete resistance range/stroke is not always covered. Therefore, external adjustment (setting potentiometer) must be provided.

1. Move valve to end position CLOSED.
2. Turn potentiometer [1] clockwise to the stop.
 - ➔ End position CLOSED corresponds to 0 %
 - ➔ End position OPEN corresponds to 100 %
3. Turn potentiometer [1] slightly in opposite direction.
4. Perform fine-tuning of the zero point at external setting potentiometer (for remote indication).

9.9. Electronic position transmitter RWG

— Option —

The electronic position transmitter RWG records the valve position. On the basis of the actual position value measured by the potentiometer (travel sensor), it generates a current signal between 0 – 20 mA or 4 – 20 mA.

Technical data

Table 7: RWG 4020

Data	3-wire or 4-wire system	2-wire system
Output current I_a	0 – 20 mA, 4 – 20 mA	4 – 20 mA
Power supply U_V ¹⁾	24 V DC (18 – 32 V)	14 V DC + $(I \times R_B)$, max. 30 V
Max. current consumption	24 mA at 20 mA output current	20 mA
Max. load R_B	600 Ω	$(U_V - 14 V)/20 \text{ mA}$
Impact of power supply	0.1 %/V	0.1 %/V
Load influence	0.1 %/(0 – 600 Ω)	0.1 %/100 Ω
Temperature impact	< 0.3 %/K	
Ambient temperature ²⁾	–60 °C to +80 °C	
Transmitter potentiometer	5 k Ω	

1) Power supply possible via: AC, AM controls or external power supply

2) Depending on temperature range of the actuator: Refer to name plate

Setting elements

The RWG is housed in the actuator switch compartment. The switch compartment must be opened to perform any settings. Refer to <Switch compartment: open>.

Setting is made via three potentiometers [1], [2] and [3].

Figure 22: View on control unit when switch compartment is open



- [1] Potentiometer (travel sensor)
- [2] Potentiometer min. (0/4 mA)
- [3] Potentiometer max. (20 mA)
- [4] Measuring point (+) 0/4 – 20 mA
- [5] Measuring point (-) 0/4 – 20 mA


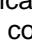
The output current (measuring range 0 – 20 mA) can be checked at measuring points [4] and [5].

9.9.1. Measuring range: set


For measuring range setting, voltage must be applied at the position transmitter.

1. Move valve to end position CLOSED.
2. Connect measuring equipment for 0 – 20 mA to measuring points [4] and [5].
If no value can be measured:
 - Check whether external load is connected to customer connection XK (for standard wiring: terminals 23/24). Consider maximum load R_B .
 - Or connect link across customer connection XK (for standard wiring: terminals 23/24).
3. Turn potentiometer [1] clockwise to the stop.
4. Turn potentiometer [1] slightly in opposite direction.
5. Turn potentiometer [2] clockwise until output current starts to increase.
6. Turn potentiometer [2] in opposite direction until the following value is reached:
 - for 0 – 20 mA approx. 0.1 mA
 - for 4 – 20 mA approx. 4.1 mA
- This ensures that the signal remains above the dead and live zero point.
7. Move valve to end position OPEN.
8. Set potentiometer [3] to end value 20 mA.
9. Approach end position CLOSED again and check minimum value (0.1 mA or 4.1 mA). If necessary, correct the setting.


9.10. Mechanical position indicator: set

1. Place indicator disc on shaft.
2. Move valve to end position CLOSED.
3. Turn lower indicator disc until symbol  (CLOSED) is in alignment with the mark  on the cover.



4. Move actuator to end position OPEN.
5. Hold lower indicator disc in position and turn upper disc with symbol  (OPEN) until it is in alignment with the mark ▲ on the cover.



6. Move valve to end position CLOSED again.
7. Check settings:
If the symbol  (CLOSED) is no longer in alignment with mark ▲ on the cover:
→ Repeat setting procedure.

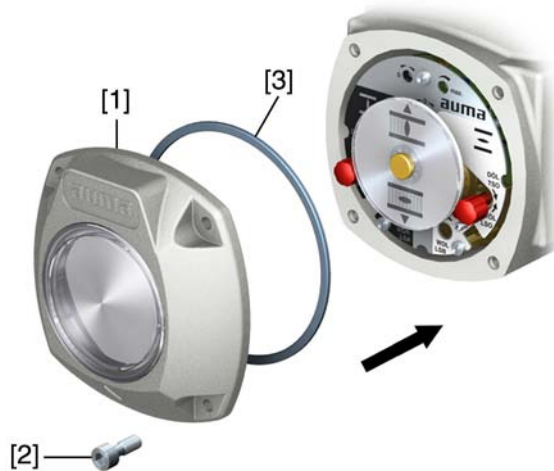
9.11. Switch compartment: close

NOTICE

Danger of corrosion due to damage to paint finish!

→ Touch up damage to paint finish after work on the device.

1. Clean sealing faces of housing and cover.
2. Check whether O-ring [3] is in good condition, replace if damaged.
3. Apply a thin film of non-acidic grease (e.g. petroleum jelly) to the O-ring and insert it correctly.




4. Place cover [1] on switch compartment.
5. Fasten screws [2] evenly crosswise.

10. Corrective action

10.1. Faults during commissioning

Table 8: Faults during commissioning

Fault	Description/cause	Remedy
Mechanical position indicator cannot be set.	Reduction gearing is not suitable for turns/stroke of the actuator.	Exchange reduction gearing.
In spite of correct setting of limit switching, actuator operated into the valve end position.	The overrun was not considered when setting the limit switching. The overrun is generated by the inertia of both the actuator and the valve and the delay time of the controls.	<ul style="list-style-type: none"> Determine overrun: Overrun = travel covered from switching off until complete standstill. Set limit switching again considering the overrun (turn handwheel back by the amount of the overrun).
No value can be measured at measuring points of the RWG.	Current loop across RWG is open. (Position feedback 0/4 – 20 mA is only possible if the current loop is closed across the RWG.)	<ul style="list-style-type: none"> Connect link across RWG to XK (terminals 23/24) Connect external load to XK, e.g. remote indication. Observe maximum load R_B.
Measuring range 0/4 – 20 mA or maximum value 20 mA at position transmitter cannot be set or supplies an incorrect value.	Reduction gearing is not suitable for turns/stroke of the actuator.	Exchange reduction gearing.
The measuring range 0/4 – 20 mA at EWG position transmitter cannot be set.	The LED on the EWG either flashes in setting mode a) single flash or b) triple flash:  a) EWG is not calibrated. b) Magnet positions of EWG are not aligned.	Call AUMA service.
Limit and/or torque switches do not trip.	Switch is defective or switch setting is incorrect.	<ul style="list-style-type: none"> Check setting, if required, reset end positions. Refer to <Check switches> and replace the switches if required.

Switch check

The red test buttons [1] and [2] are used for manual operation of the switches:



- Turn test button [1] in direction of the TSC arrow: Torque switch CLOSED trips.
 - Turn test button [2] in direction of the TSO arrow: Torque switch OPEN trips.
- If the actuator is equipped with a DUO limit switching (option), the intermediate position switches (LSA and LSB) will be operated at the same time as the torque switches.
- Turn test button [1] in direction of the LSC arrow: Limit switch CLOSED trips.
 - Turn test button [2] in direction of the LSO arrow: Limit switch OPEN trips.

10.2. Motor protection (thermal monitoring)

In order to protect against overheating and impermissibly high temperatures at the actuator, PTC thermistors or thermostiches are embedded in the motor winding. They trip as soon as the max. permissible winding temperature has been reached.

Behaviour during failure	If the signals are correctly wired within the controls, the actuator is stopped and can only resume its operation once the motor has cooled down.
Possible causes	Overload, running time exceeded, max. number of starts exceeded, ambient temperature is too high.
Remedy	Check cause, eliminate if possible.

11. Servicing and maintenance



Damage caused by inappropriate maintenance!

- Servicing and maintenance must be carried out exclusively by suitably qualified personnel having been authorised by the end user or the contractor of the plant. Therefore, we recommend contacting our service.
- Only perform servicing and maintenance tasks when the device is switched off.

AUMA Service & Support

AUMA offer extensive service such as servicing and maintenance as well as customer product training. For the relevant contact addresses, please refer to <Addresses> in this document or to the Internet (www.auma.com).

11.1. Preventive measures for servicing and safe operation

The following measures are required to ensure safe device operation:

6 months after commissioning and then every year

- Carry out visual inspection:
Cable entries, cable glands, blanking plugs, etc. have to be checked for correct tightness and sealing.
Respect torques according to manufacturer's details.
- Check fastening screws between actuator and gearbox/valve for tightness. If required, fasten screws while applying the tightening torques as indicated in chapter <Assembly>.
- When rarely operated: Perform test run.

For enclosure protection IP68

After continuous immersion:

- Check actuator.
- In case of ingress of water, locate leaks and repair, dry device correctly and check for proper function.

11.2. Maintenance

- Lubrication**
- In the factory, the gear housing is filled with grease.
 - Grease change is performed during maintenance
 - Generally after 4 to 6 years for modulating duty.
 - Generally after 6 to 8 years if operated frequently (open-close duty).
 - Generally after 10 to 12 years if operated rarely (open-close duty).
 - We recommend exchanging the seals when changing the grease.
 - No additional lubrication of the gear housing is required during operation.

11.3. Disposal and recycling

Our devices have a long lifetime. However, they have to be replaced at one point in time. The devices have a modular design and may, therefore, easily be separated and sorted according to materials used, i.e.:

- electronic scrap
- various metals
- plastics
- greases and oils

The following generally applies:

- Greases and oils are hazardous to water and must not be released into the environment.
- Arrange for controlled waste disposal of the disassembled material or for separate recycling according to materials.

- Observe the national regulations for waste disposal.

12. Technical data

Information The following technical data includes standard and optional features. For detailed information on the customer-specific version, refer to the order-related data sheet. The technical data sheet can be downloaded from the Internet at www.auma.com in both German and English (please state the order number).

12.1. Technical data Part-turn actuator

Features and functions	
Type of duty	Short-time duty S2 - 15 min (part-turn actuators for open-close duty with 3-phase AC motors) Short-time duty S2 - 10 min (part-turn actuators for open-close duty with 1-phase AC motors) Intermittent duty S4 - 25 % (part-turn actuators for modulating duty with 3-phase AC motors) Intermittent duty S4 - 20 % (part-turn actuators for modulating duty with 1-phase AC motors) For nominal voltage and 40 °C ambient temperature and at average load with 35 % of the max. torque
Motors	Standard: 3-ph AC asynchronous motor, type IM B9 according to IEC 60034
	Option: 1-phase AC motor, type IM B9 according to IEC 60034
Mains voltage, mains frequency	Refer to motor name plate Permissible variation of mains voltage: $\pm 10\%$ Permissible variation of mains frequency: $\pm 5\%$
Overvoltage category	Category III according to IEC 60364-4-443
Insulation class	Standard: F, tropicalized
	Option: H, tropicalized
Motor protection	Standard: Thermoswitches (NC)
	Option: PTC thermistors (according to DIN 44082) ¹⁾
Motor heater (option)	Voltages: 110 – 120 V AC, 220 – 240 V AC or 400 V AC (externally supplied)
	Power: 12.5 W
Swing angle	Standard: Adjustable between 75° and < 105°
	Option: 15° to < 45°, 45° to < 75°, 105° to < 135°
Self-locking	Yes (Part-turn actuators are self-locking if the valve position cannot be changed from standstill while torque acts upon the output drive.)
Manual operation	Manual drive for setting and emergency operation, handwheel does not rotate during electrical operation.
	Option: Handwheel lockable Handwheel stem extension
Indication for manual operation (option)	Indication whether manual operation is active/not active via single switch (1 change-over contact)
Electrical connection	Standard: AUMA plug/socket connector with screw-type connection
	Option: Terminals or crimp connection Gold-plated control plug (sockets and plugs)
Threads for cable entries	Standard: Metric threads
	Option: Pg-threads, NPT-threads, G-threads
Terminal plan	Terminal plan according to order number enclosed with delivery
Splined coupling for connection to the valve shaft	Standard: Coupling without bore
	Option: Machined coupling with bore and keyway, square bore or bore with two-flats according to EN ISO 5211
Valve attachment	Dimensions according to EN ISO 5211 without spigot

1) PTC thermistors additionally require a suitable tripping device within the controls

With base and lever (option)	
Swing lever	Made of spheroidal cast iron with two or three bores for fixing a lever arrangement. Considering the installation conditions, the lever may be mounted to the output shaft in any desired position.
Ball joints (option)	Two ball joints matching the lever, including lock nuts and two welding nuts, suitable for pipe according to dimension sheet
Fixing	Base with four holes for fastening screws

Electromechanical control unit	
Limit switching	Counter gear mechanism for end positions OPEN and CLOSED
	Standard: Single switches (1 NC and 1 NO) for each end position, not galvanically isolated
	Options: Tandem switches (2 NC and 2 NO) for each end position, switches galvanically isolated Triple switches (3 NC and 3 NO) for each end position, switches galvanically isolated Intermediate position switch (DUO limit switching), adjustable for any position
Torque switching	Torque switching adjustable for directions OPEN and CLOSE
	Standard: Single switches (1 NC and 1 NO) for each direction, not galvanically isolated
	Options: Tandem switches (2 NC and 2 NO) for each direction, switches galvanically isolated
Position feedback signal, analogue (option)	Potentiometer or 0/4 – 20 mA (EWG/RWG)
Mechanical position indicator (option)	Continuous indication, adjustable indicator disc with symbols OPEN and CLOSED
Running indication	Blinker transmitter (option for modulating actuators)
Heater in switch compartment	Standard: Self-regulating PTC heater, 5 – 20 W, 110 – 250 V AC/DC
	Options: 24 – 48 V AC/DC or 380 – 400 V AC
	A resistance type heater of 5 W, 24 V AC is installed in the actuator in combination with AM or AC actuator controls.

Technical data for limit and torque switches	
Mechanical lifetime	2×10^6 starts
Silver plated contacts:	
U min.	24 V AC/DC
U max.	250 V AC/DC
I min.	20 mA
I max. AC current	5 A at 250 V (resistive load) 3 A at 250 V (inductive load, $\cos \phi = 0.6$)
I max. DC current	0.4 A at 250 V (resistive load) 0.03 A at 250 V (inductive load, $L/R = 3 \mu s$) 7 A at 30 V (resistive load) 5 A at 30 V (inductive load, $L/R = 3 \mu s$)
Gold plated contacts	
U min.	5 V
U max.	30 V
I min.	4 mA
I max.	400 mA

Technical data for blinker transmitter	
Mechanical lifetime	10^7 starts
Silver plated contacts:	
U min.	10 V AC/DC
U max.	250 V AC/DC
I max. AC current	3 A at 250 V (resistive load) 2 A at 250 V (inductive load, $\cos \phi \approx 0.8$)
I max. DC current	0.25 A at 250 V (resistive load)

Technical data for handwheel activation switches	
Mechanical lifetime	10^6 starts
Silver plated contacts:	
U min.	12 V DC
U max.	250 V AC
I max. AC current	3 A at 250 V (inductive load, $\cos \phi = 0.8$)
I max. DC current	3 A at 12 V (resistive load)

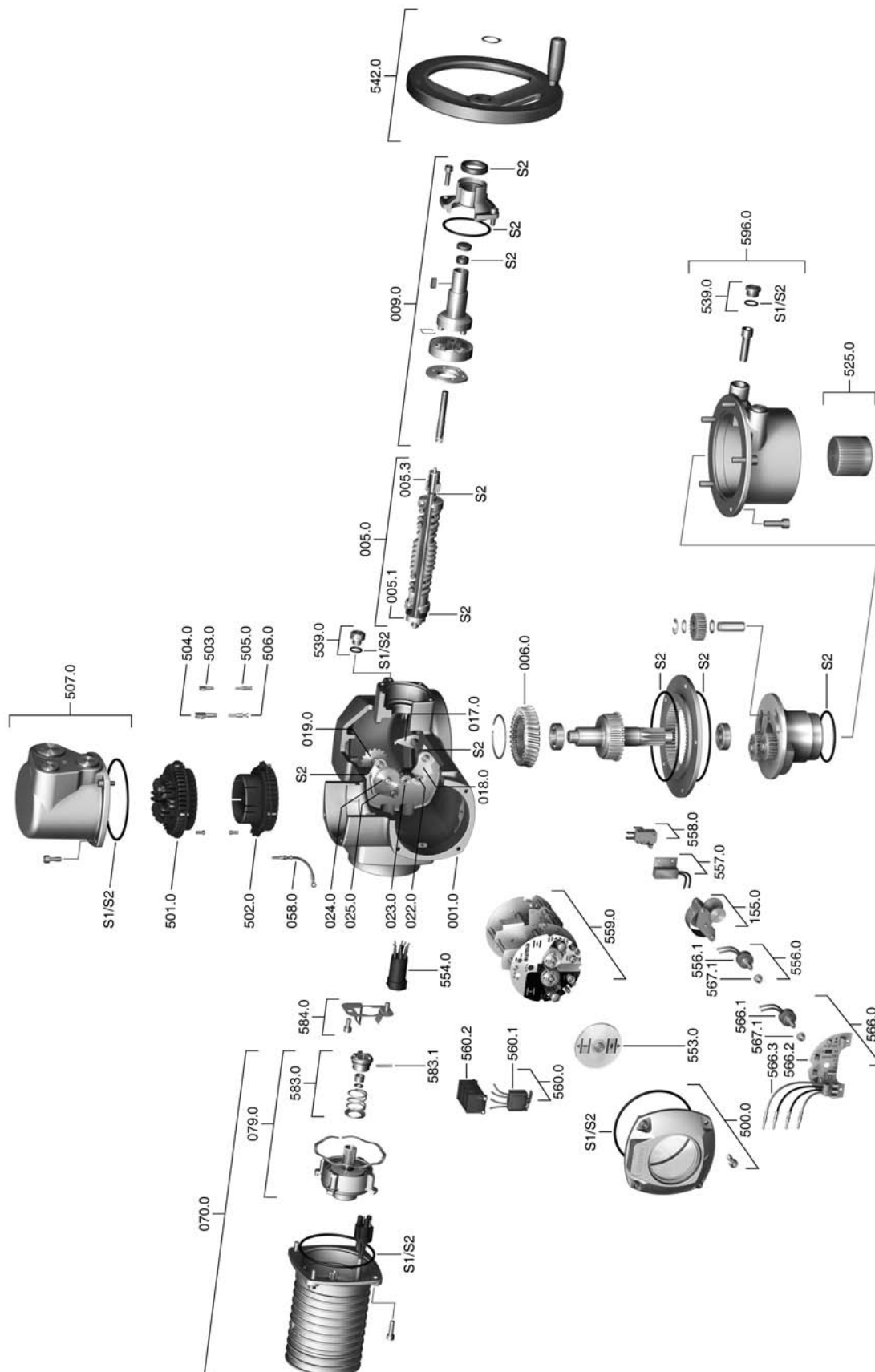
Technical data

Service conditions	
Use	Indoor and outdoor use permissible
Mounting position	Any position
Installation altitude	≤ 2,000 m above sea level > 2,000 m above sea level, please contact AUMA
Ambient temperature	Standard: –40 °C to +80 °C (part-turn actuators for open-close duty with 3-phase AC motors) –40 °C to +70 °C (part-turn actuators for open-close duty with 1-phase AC motors) –40 °C to +60 °C (part-turn actuators for modulating duty)
	Options: –60 °C to +60 °C 0 °C to +120 °C (part-turn actuators for open-close duty with 3-phase AC motors)
	For actual version, refer to actuator name plate.
Enclosure protection according to EN 60529	Standard: IP68 with AUMA 3-phase AC motor/1-phase AC motor For special motors differing enclosure protection: refer to name plate.
	Option: DS Terminal compartment additionally sealed against interior (double sealed)
	According to AUMA definition, enclosure protection IP68 meets the following requirements: <ul style="list-style-type: none"> • Depth of water: maximum 8 m head of water • Duration of continuous immersion in water: Max. 96 hours • Up to 10 operations during continuous immersion Modulating duty is not possible during continuous immersion.
	For actual version, refer to actuator name plate.
Pollution degree	Pollution degree 4 (when closed) according to EN 50178
Vibration resistance according to IEC 60068-2-6	2 g, from 10 to 200 Hz Resistant to vibration during start-up or for failures of the plant. However, a fatigue strength may not be derived from this. Valid for part-turn actuators in version AUMA NORM (with AUMA plug/socket connector, without actuator controls). Not valid in combination with gearboxes.
Corrosion protection	Standard: KS: Suitable for installation in industrial units, in water or power plants with a low pollutant concentration as well as for installation in occasionally or permanently aggressive atmosphere with a moderate pollutant concentration (e.g. wastewater treatments plants, chemical industry)
	Option: KX: Suitable for installation in extremely aggressive atmospheres with high humidity and high pollutant concentration
	KX-G : same as KX, however aluminium-free version (outer parts)
Finish coating	Powder coating
Colour	Standard: AUMA silver-grey (similar to RAL 7037)
	Option: Other colours are possible on request.
Lifetime	AUMA part-turn actuators meet or even exceed the lifetime requirements of EN 15714-2. Detailed information can be provided on request.

Further information	
EU Directives	Electromagnetic Compatibility (EMC): (2004/108/EC) Low Voltage Directive: (2006/95/EC) Machinery Directive: (2006/42/EC)

13. Spare parts

13.1. Part-turn actuators SQ 05.2 – SQ 14.2/SQR 05.2 – SQR 14.2



Spare parts

Information: Please state device type and our order number (see name plate) when ordering spare parts. Only original AUMA spare parts should be used. Failure to use original spare parts voids the warranty and exempts AUMA from any liability. Delivered spare parts may slightly vary from the representation in these instructions.

Ref. no.	Designation	Type	Ref. no.	Designation	Type
001.0	Housing	Sub-assembly	539.0	Screw plug	Sub-assembly
005.0	Drive shaft	Sub-assembly	542.0	Handwheel with ball handle	
005.1	Motor coupling	Sub-assembly	553.0	Mechanical position indicator	Sub-assembly
005.3	Manual drive coupling		554.0	Socket carrier for motor plug/socket connector with cable harness	Sub-assembly
006.0	Worm wheel	Sub-assembly	556.0	Potentiometer for position transmitter	Sub-assembly
009.0	Planetary gearing for manual drive	Sub-assembly	556.1	Potentiometer without slip clutch	Sub-assembly
017.0	Torque lever		557.0	Heater	Sub-assembly
018.0	Gear segment	Sub-assembly	558.0	Blinker transmitter including pins at wires (without impulse disc and insulation plate)	Sub-assembly
019.0	Crown wheel		559.0	Control unit with torque switching heads and switches	Sub-assembly
022.0	Drive pinion II for torque switching	Sub-assembly	559.0	Control unit with magnetic limit and torque transmitter (MWG) for Non-intrusive version in combination with AUMATIC integral controls	Sub-assembly
023.0	Output drive wheel for limit switching	Sub-assembly	560.0–1	Switch stack for direction OPEN	Sub-assembly
024.0	Drive wheel for limit switching	Sub-assembly	560.0–2	Switch stack for direction CLOSE	Sub-assembly
025.0	Locking plate	Sub-assembly	560.1	Switch for limit/torque	Sub-assembly
058.0	Wire for protective earth	Sub-assembly	560.2	Switch case	
070.0	Motor (VD motor incl. ref. no. 079.0)	Sub-assembly	566.0	Position transmitter EWG/RWG	Sub-assembly
079.0	Planetary gearing for motor drive (SQ/SQR 05.2 – SQ SQR 14.2 for VD motor)	Sub-assembly	566.1	Potentiometer for RWG without slip clutch	Sub-assembly
155.0	Reduction gearing	Sub-assembly	566.2	Position transmitter board for RWG	Sub-assembly
500.0	Cover	Sub-assembly	566.3	Wire harness for RWG	Sub-assembly
501.0	Socket carrier (complete with sockets)	Sub-assembly	567.1	Slip clutch for potentiometer	Sub-assembly
502.0	Pin carrier without pins	Sub-assembly	583.0	Motor coupling on motor shaft	Sub-assembly
503.0	Socket for control	Sub-assembly	583.1	Pin for motor coupling	Sub-assembly
504.0	Socket for motor		584.0	Retaining spring for motor coupling	
505.0	Pin for controls	Sub-assembly	596.0	Output drive flange with end stop	Sub-assembly
506.0	Pin for motor	Sub-assembly	612.0	Screw plug for end stop	Sub-assembly
507.0	Cover for electrical connection	Sub-assembly	S1	Seal kit, small	Set
525.0	Coupling	Sub-assembly	S2	Seal kit, large	Set

14. Certificates

14.1. Declaration of Incorporation and EC Declaration of Conformity

AUMA Riester GmbH & Co. KG Tel +49 7631 809-0
 Aumastr. 1 Fax +49 7631 809-1250
 79379 Müllheim, Germany Riester@auma.com
 www.auma.com



Original Declaration of Incorporation of Partly Completed Machinery (EC Directive 2006/42/EC) and EC Declaration of Conformity in compliance with the Directives on EMC and Low Voltage

for electric AUMA Actuators of the type ranges

Multi-turn actuators	SA 07.2 – SA 16.2 and SAR 07.2 – SAR 16.2
Part-turn actuators	SQ 05.2 – SQ 14.2 and SQR 05.2 – SQR 14.2

in versions **AUMA NORM, AUMA SEMIPACT, AUMA MATIC** or **AUMATIC**.

AUMA Riester GmbH & Co. KG as manufacturer declares herewith, that the above mentioned multi-turn and part-turn actuators meet the following basic requirements of the EC Machinery Directive 2006/42/EC: Annex I, articles 1.1.2, 1.1.3, 1.1.5, 1.2.1, 1.2.6, 1.3.1, 1.3.7, 1.5.1, 1.6.3, 1.7.1, 1.7.3, 1.7.4

The following harmonised standards within the meaning of the Machinery Directive have been applied:

EN ISO 12100: 2010 EN ISO 5211: 2001
 EN ISO 5210: 1996

With regard to the partly completed machinery, the manufacturer commits to submitting the documents to the competent national authority via electronic transmission upon request. The relevant technical documentation pertaining to the machinery described in Annex VII, part B has been prepared.

AUMA multi-turn and part-turn actuators are designed to be installed on industrial valves. AUMA multi-turn and part-turn actuators must not be put into service until the final machinery into which they are to be incorporated has been declared in conformity with the provisions of the EC Directive 2006/42/EC.

Authorised person for documentation: Peter Malus, Aumastrasse 1, D-79379 Müllheim

As partly completed machinery, the multi-turn and part-turn actuators further comply with the requirements of the following directives and the respective approximation of national laws as well as the respective harmonised standards as listed below:

(1) Directive relating to Electromagnetic Compatibility (EMC) (2004/108/EC)

EN 61000-6-4: 2007 / A1: 2011
 EN 61000-6-2: 2005 / AC: 2005

(2) Low Voltage Directive (2006/95/EC)

EN 60204-1: 2006 / AC: 2010
 EN 60034-1: 2010 / AC: 2010
 EN 50178: 1997

Müllheim, 2014-01-01

H. Newerla, General Management

This declaration does not contain any guarantees. The safety instructions in product documentation supplied with the devices must be observed. Non-concerted modification of the devices voids this declaration.

Y006.332/003/en

Index**A**

Accessories (electrical connection)	17
Ambient temperature	7 , 40
Applications	4
Assembly	10

C

Certificates	43
Commissioning	4 , 22
Commission number	7
Corrective action	34
Corrosion protection	9 , 40
Cross sections	14
Current consumption	13

D

Data Matrix code	8
Declaration of Incorporation	43
Delay time	13
Device type	8
Direction of rotation	27
Directives	4
Disposal	36
Double sealed	18
DUO limit switching	26

E

Earth connection	18
EC Declaration of Conformity	43
Electrical connection	13
Electronic position transmitter	28 , 31
Enclosure protection	7 , 40
End stops	22
EWG	28

F

Fault	34
Flange size	8

H

Handwheel	10
-----------	----

I

Identification	7
Indications	20
Indicator disc	20 , 32
Inspection record	8
Intermediate frame	18
Intermediate positions	26
Inverse operation (0/20 – 4 mA)	29

L

Limit switches	13
Limit switching	25 , 27
Lubrication	36

M

Mains frequency	13
Mains voltage	13
Maintenance	4 , 36 , 36
Manual operation	19
Mechanical position indicator	20 , 32
Motor heater	16
Motor operation	19
Motor protection	34

N

Name plate	7 , 13
------------	--------

O

Operating time	7
Operation	4 , 19
Order number	7 , 8

P

Packaging	9
Parking frame	17
Position indicator	32
Position transmitter EWG	28 , 28
Position transmitter RWG	31
Potentiometer	30
Power supply	13
Protection cover	18
Protection on site	13
Protective measures	4
PTC thermistors	34

Q

Qualification of staff	4
------------------------	---

R

Range of application	4
Recycling	36
Running indication	20
RWG	31

S

Safety instructions	4
Safety instructions/warnings	4
Serial number	7 , 8
Service	36
Servicing	36
Short-circuit protection	13
Signals	21
Size	8
Spare parts	41
Standards	4
Storage	9
Support	36
Support App	8 , 8
Switch check	34
Switches	13

T

Tandem switches	13
Technical data	38
Technical data for switches	39
Terminal plan	13
Test run	27
Thermal monitoring	34
Thermoswitches	34
Torque range	7
Torque switches	13
Torque switching	24
Transport	9
Type (device type)	8
Type designation	7
Type of current	13
Type of lubricant	7

W

Wiring diagram	8 , 13
Works number	8

Y

Year of manufacture	8
Year of production	8

Europe

AUMA Riester GmbH & Co. KG

Plant Müllheim
DE 79373 Müllheim
 Tel +49 7631 809 - 0
 riester@auma.com
 www.auma.com

Plant Ostfildern-Nellingen
DE 73747 Ostfildern
 Tel +49 711 34803 - 0
 riester@wof.auma.com

Service-Center Bayern
DE 85386 Eching
 Tel +49 81 65 9017- 0
 Riester@scb.auma.com

Service-Center Köln
DE 50858 Köln
 Tel +49 2234 2037 - 900
 Service@sck.auma.com

Service-Center Magdeburg
DE 39167 Niederrandleben
 Tel +49 39204 759 - 0
 Service@scm.auma.com

AUMA-Armaturentriebe Ges.m.b.H.
AT 2512 Tribuswinkel
 Tel +43 2252 82540
 office@auma.at
 www.auma.at

AUMA BENELUX B.V. B. A.
BE 8800 Roeselare
 Tel +32 51 24 24 80
 office@auma.be
 www.auma.nl

ProStream Group Ltd.
BG 1632 Sofia
 Tel +359 2 9179-337
 valtchev@prostream.bg
 www.prostream.bg

OOO "Dunkan-Privod"
BY 220004 Minsk
 Tel +375 29 6945574
 belarus@auma.ru
 www.zatvor.by

AUMA (Schweiz) AG
CH 8965 Berikon
 Tel +41 566 400945
 RettichP.ch@auma.com

AUMA Servopohony spol. s.r.o.
CZ 250 01 Brandýs n.L.-St.Boleslav
 Tel +420 326 396 993
 auma-s@auma.cz
 www.auma.cz

GRØNBECH & SØNNER A/S
DK 2450 København SV
 Tel +45 33 26 63 00
 GS@g-s.dk
 www.g-s.dk

IBEROPLAN S.A.
ES 28027 Madrid
 Tel +34 91 3717130
 iberoplan@iberoplan.com

AUMA Finland Oy
FI 02230 Espoo
 Tel +358 9 5840 22
 auma@auma.fi
 www.auma.fi

AUMA France S.A.R.L.
FR 95157 Taverny Cedex
 Tel +33 1 39327272
 info@auma.fr
 www.auma.fr

AUMA ACTUATORS Ltd.
GB Clevedon, North Somerset BS21 6TH
 Tel +44 1275 871141
 mail@auma.co.uk
 www.auma.co.uk

D. G. Bellos & Co. O.E.
GR 13673 Acharnai, Athens
 Tel +30 210 2409485
 info@dgbellos.gr

APIS CENTAR d. o. o.
HR 10437 Bestovje
 Tel +385 1 6531 485
 auma@apis-centar.com
 www.apis-centar.com

Fabo Kereskedelmi és Szolgáltató Kft.
HU 8800 Nagykanizsa
 Tel +36 93/324-666
 auma@fabo.hu
 www.fabo.hu

Falkinn HF
IS 108 Reykjavik
 Tel +00354 540 7000
 os@falkinn.is
 www.falkinn.is

AUMA ITALIANA S.r.l. a socio unico
IT 20023 Cerro Maggiore (MI)
 Tel +39 0331 51351
 info@auma.it
 www.auma.it

AUMA BENELUX B.V.
LU Leiden (NL)
 Tel +31 71 581 40 40
 office@auma.nl

NB Engineering Services
MT ZBR 08 Zabbar
 Tel + 356 2169 2647
 nikibel@onvol.net

AUMA BENELUX B.V.
NL 2314 XT Leiden
 Tel +31 71 581 40 40
 office@auma.nl
 www.auma.nl

SIGUM A. S.
NO 1338 Sandvika
 Tel +47 67572600
 post@sigum.no

AUMA Polska Sp. z o.o.
PL 41-219 Sosnowiec
 Tel +48 32 783 52 00
 biuro@auma.com.pl
 www.auma.com.pl

AUMA-LUSA Representative Office, Lda.
PT 2730-033 Barcarena
 Tel +351 211 307 100
 geral@aumalusa.pt

SAUTECH
RO 011783 Bucuresti
 Tel +40 372 303982
 office@sautech.ro

OOO PRIWODY AUMA
RU 141402 Khimki, Moscow region
 Tel +7 495 221 64 28
 aumarussia@auma.ru
 www.auma.ru

OOO PRIWODY AUMA
RU 125362 Moscow
 Tel +7 495 787 78 21
 aumarussia@auma.ru
 www.auma.ru

ERICHs ARMATUR AB
SE 20039 Malmö
 Tel +46 40 311550
 info@erichsarmatur.se
 www.erichsarmatur.se

ELSO-b, s.r.o.
SK 94901 Nitra
 Tel +421 905/336-926
 elsob@stonline.sk
 www.elsob.sk

Auma Endüstri Kontrol Sistemleri Limited
 Sirketi
TR 06810 Ankara
 Tel +90 312 217 32 88
 info@auma.com.tr

AUMA Technology Automations Ltd
UA 02099 Kiev
 Tel +38 044 586-53-03
 auma-tech@aumatech.com.ua

Africa

Solution Technique Contrôle Commande
DZ Bir Mourad Rais, Algiers
 Tel +213 21 56 42 09/18
 stcco@wissal.dz

A.T.E.C.
EG Cairo
 Tel +20 2 23599680 - 23590861
 contactus@atec-eg.com

SAMIREG
MA 203000 Casablanca
 Tel +212 5 22 40 09 65
 samireg@menara.ma

MANZ INCORPORATED LTD.
NG Port Harcourt
 Tel +234-84-462741
 mail@manzincorporated.com
 www.manzincorporated.com

AUMA South Africa (Pty) Ltd.
ZA 1560 Springs
 Tel +27 11 3632880
 aumasa@mweb.co.za

America

AUMA Argentina Rep.Office
AR Buenos Aires
 Tel +54 11 4737 9026
 contacto@aumaargentina.com.ar

AUMA Automação do Brazil Ltda.
BR Sao Paulo
 Tel +55 11 4612-3477
 contato@auma-br.com

TROY-ONTOR Inc.
CA L4N 8X1 Barrie, Ontario
 Tel +1 705 721-8246
 troy-ontor@troy-ontor.ca

AUMA Chile Representative Office
CL 9500414 Buin
 Tel +56 2 821 4108
 aumachile@auma-chile.cl

Ferrostaal de Colombia Ltda.
CO Bogotá D.C.
 Tel +57 1 401 1300
 dorian.hernandez@ferrostaal.com
 www.ferrostaal.com

Transcontinental Trading Overseas SA.
CU Ciudad Habana
 Tel +53 7 208 9603 / 208 7729
 tto@ttoweb.com

AUMA Región Andina & Centroamérica
EC Quito
 Tel +593 2 245 4614
 auma@auma-ac.com
 www.auma.com

Corsusa International S.A.C.
PE Miraflores - Lima
 Tel +511444-1200 / 0044 / 2321
 corsusa@corsusa.com
 www.corsusa.com

Control Technologies Limited
TT Marabella, Trinidad, W.I.
 Tel + 1 868 658 1744/5011
 www.ctltech.com

AUMA ACTUATORS INC.
US PA 15317 Canonsburg
 Tel +1 724-743-AUMA (2862)
 mailbox@auma-usa.com
 www.auma-usa.com

Suplibarca
VE Maracaibo, Estado, Zulia
 Tel +58 261 7 555 667
 suplibarca@intercable.net.ve

Asia

AUMA Actuators UAE Support Office
AE 287 Abu Dhabi
 Tel +971 26338688
 Nagaraj.Shetty@auma.com

AUMA Actuators Middle East
BH 152 68 Salmabad
 Tel +97 3 17896585
 salesme@auma.com

Mikuni (B) Sdn. Bhd.
BN KA1189 Kuala Belait
 Tel + 673 3331269 / 3331272
 mikuni@brunet.bn

AUMA Actuators China Co., Ltd
CN 215499 Taicang
 Tel +86 512 3302 6900
 mailbox@auma-china.com
 www.auma-china.com

PERFECT CONTROLS Ltd.
HK Tsuen Wan, Kowloon
 Tel +852 2493 7726
 joeip@perfectcontrols.com.hk

PT. Carakamas Inti Alam
ID 11460 Jakarta
 Tel +62 215607952-55
 auma-jkt@indo.net.id

AUMA INDIA PRIVATE LIMITED.
IN 560 058 Bangalore
 Tel +91 80 2839 4656
 info@auma.co.in
 www.auma.co.in

ITG - Iranians Torque Generator
IR 13998-34411 Teheran
 +982144545654
 info@itg-co.ir

Trans-Jordan Electro Mechanical Supplies
JO 11133 Amman
 Tel +962 - 6 - 5332020
 Info@transjordan.net

AUMA JAPAN Co., Ltd.
JP 211-0016 Kawasaki-shi, Kanagawa
 Tel +81-(0)44-863-8371
 mailbox@auma.co.jp
 www.auma.co.jp

DW Controls Co., Ltd.
KR 153-702 Gasan-dong, GeumChun-Gu,, Seoul
 Tel +82 2 2624 3400
 import@actuatorbank.com
 www.actuatorbank.com

Al-Arfaj Engineering Co WLL
KW 22004 Salmiyah
 Tel +965-24817448
 info@arfajengg.com
 www.arfajengg.com

TOO "Armaturny Center"
KZ 060005 Atyrau
 Tel +7 7122 454 602
 armacentre@bk.ru

Network Engineering
LB 4501 7401 JBEIL, Beirut
 Tel +961 9 944080
 nabil.ibrahim@networkenglb.com
 www.networkenglb.com

AUMA Malaysia Office
MY 70300 Seremban, Negeri Sembilan
 Tel +606 633 1988
 sales@auma.com.my

Mustafa Sultan Science & Industry Co LLC
OM Ruwi
 Tel +968 24 636036
 r-negi@mustafasultan.com

FLOWTORK TECHNOLOGIES CORPORATION
PH 1550 Mandaluyong City
 Tel +63 2 532 4058
 flowtork@pltdsl.net

M & C Group of Companies
PK 54000 Cavalry Ground, Lahore Cantt
 Tel +92 42 3665 0542, +92 42 3668 0118
 sales@mcass.com.pk
 www.mcass.com.pk

Petrogulf W.L.L.
QA Doha
 Tel +974 44350151
 pgulf@qatar.net.qa

AUMA Saudi Arabia Support Office
SA 31952 Al Khobar
 Tel + 966 5 5359 6025
 Vinod.Fernandes@auma.com

AUMA ACTUATORS (Singapore) Pte Ltd.
SG 569551 Singapore
 Tel +65 6 4818750
 sales@auma.com.sg
 www.auma.com.sg

NETWORK ENGINEERING
SY Homs
 +963 31 231 571
 eyad3@scs-net.org

Sunny Valves and Intertrade Corp. Ltd.
TH 10120 Yannawa, Bangkok
 Tel +66 2 2400656
 mainbox@sunnyvalves.co.th
 www.sunnyvalves.co.th

Top Advance Enterprises Ltd.
TW Zhonghe City, Taipei Hsien (235)
 Tel +886 2 2225 1718
 support@auma-taiwan.com.tw
 www.auma-taiwan.com.tw

AUMA Vietnam Hanoi RO
VN Hanoi
 +84 4 37822115
 chiennguyen@auma.com.vn

Australia

BARRON GJM Pty. Ltd.
AU NSW 1570 Artarmon
 Tel +61 2 8437 4300
 info@barron.com.au
 www.barron.com.au

auma[®]

Solutions for a world in motion

AUMA Riester GmbH & Co. KG

P.O.Box 1362

DE 79373 Muellheim

Tel +49 7631 809 - 0

Fax +49 7631 809 - 1250

riester@auma.com

www.auma.com



Y005.559/003/en/1.14